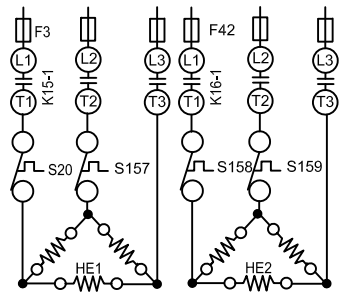
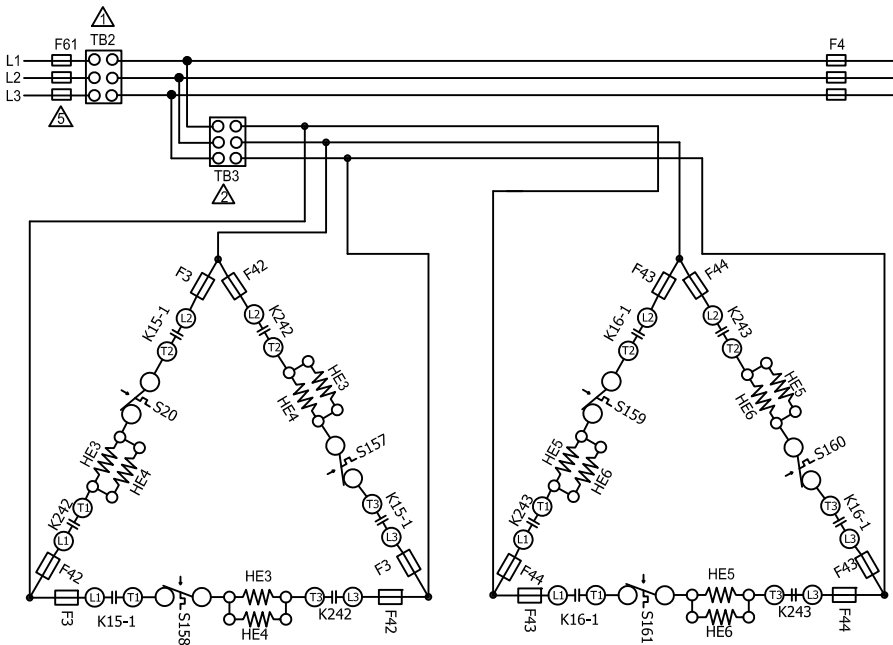



KEY	DESCRIPTION
A55	PANEL MAIN
F3	FUSE, ELECTRIC HEAT 1
F4	FUSE, UNIT
F42	FUSE, ELECTRIC HEAT 2
F43	FUSE, ELECTRIC HEAT 3,4
F44	FUSE, ELECTRIC HEAT 5
F61	FUSE, UNIT - SCCR
HE1	ELEMENT, ELECTRIC HEAT 1
HE2	ELEMENT, ELECTRIC HEAT 2
HE3	ELEMENT, ELECTRIC HEAT 3
HE4	ELEMENT, ELECTRIC HEAT 4
HE5	ELEMENT, ELECTRIC HEAT 5
HE6	ELEMENT, ELECTRIC HEAT 6
K15-1	CONTACTOR, ELECTRIC HEAT 1, 2
K16-1	CONTACTOR, ELECTRIC HEAT 3, 4
K242-1	CONTACTOR, ELECTRIC HEAT 1
K243-1	CONTACTOR, ELECTRIC HEAT 2
S15	SWITCH, LIMIT PRIMARY ELECTRIC HEAT
S19	THERMOSTAT, ELECTRIC HEAT LIMIT
S20	SWITCH, LIMIT SECONDARY ELEC. HEAT 1 (NO RESET)
S157	SWITCH, LIMIT SECONDARY ELEC. HEAT 2 (NO RESET)
S158	SWITCH, LIMIT SECONDARY ELEC. HEAT 3 (NO RESET)
S159	SWITCH, LIMIT SECONDARY ELEC. HEAT 4 (NO RESET)
S160	SWITCH, LIMIT SECONDARY ELEC. HEAT 5 (NO RESET)
S161	SWITCH, LIMIT SECONDARY ELEC. HEAT 6 (NO RESET)
TB2	TERMINAL STRIP, UNIT
TB3	TERMINAL STRIP, ELECTRIC HEAT

J/P	JACK/PLUG DESCRIPTION
7	ELECTRIC HEAT SUB BASE KIT



- △ TB2,S48 OR CB10 MAY BE USED
- △ TB3 IS USED ON SOME UNITS
- △ S19 IS USED ON HEAT PUMP APPLICATIONS ONLY
- △ REMOVE JUMPER PLUG WHEN FIELD INSTALLING ELECTRIC HEAT
- △ F61 USED ON UNITS WITH SCCR OPTION
- ← DENOTES OPTIONAL COMPONENTS

KW	HE1	HE2	HE3	HE4	HE5	HE6
7.5	7.5					
15	15					
22.5	15	7.5				
30	15	15				
45	15			15	15	
60			15	15	15	15

2020/10		WIRING DIAGRAM	10/20
		538120-01	
HEATING - ELECTRIC			
ELECTRIC HEAT			
7.5, 15, 22.5, 30, 45, 60 - Y			
SECTION A			REV 0
Supersedes		New Form No.	
538120-01			